

32" Desk Mechanical Mounts

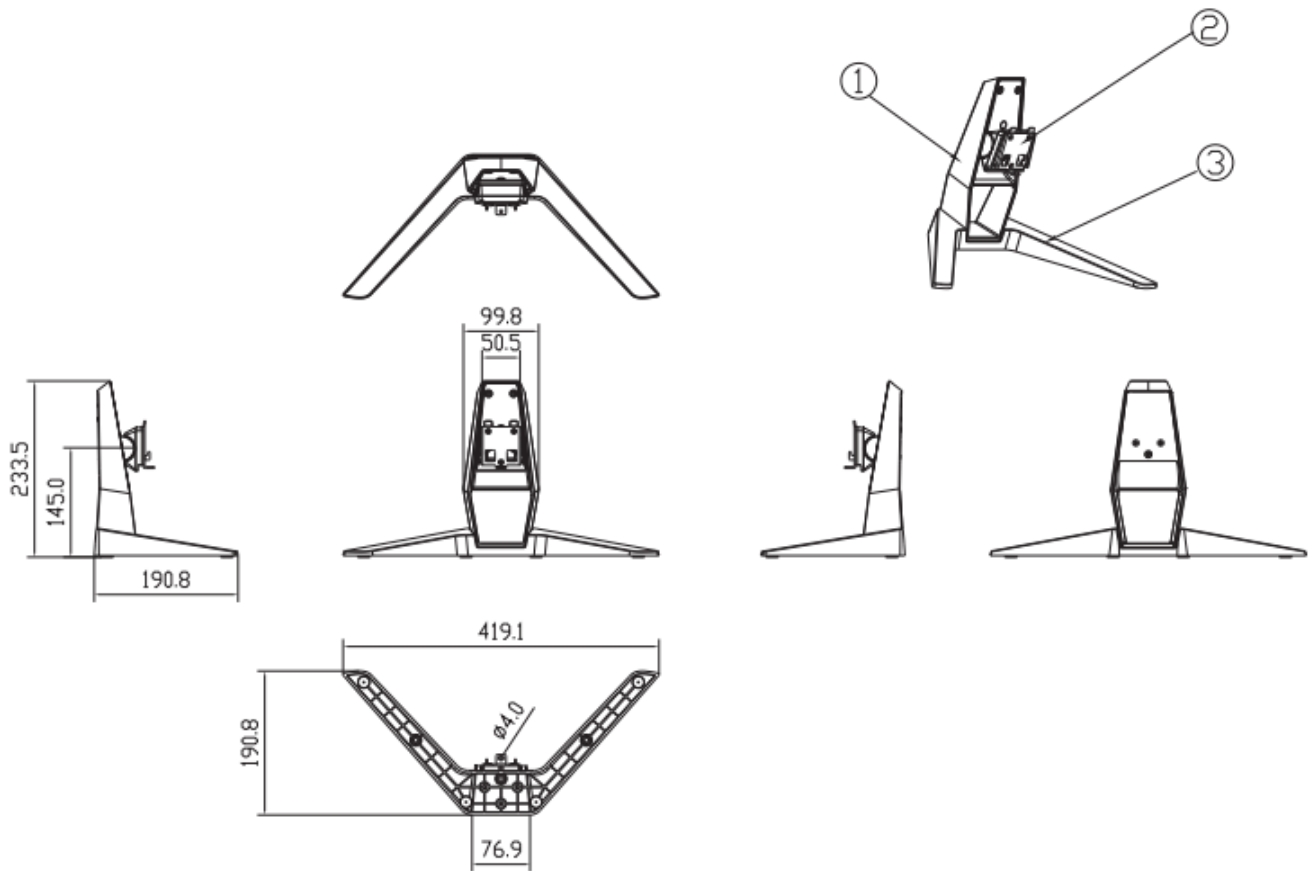
HB-5032-C



Specifications

Model	HB-5032-C
Dimension (W×H×D)	419.1mm×233.5mm×190.8mm
Weight	0.64 Kg
Material	ABS & SGCC
Standard	VESA

Dimensions



Zhejiang Uniview Technologies Co.,Ltd.

Building No.10, Wanlun Science Park, Jiangling Road 88, Binjiang District, Hangzhou, Zhejiang, China

Email: overseasbusiness@uniview.com; globalsupport@uniview.com

<http://www.uniview.com>

©2017 Zhejiang Uniview Technologies Co.,Ltd. All rights reserved.

*Product specifications and availability are subject to change without notice.